

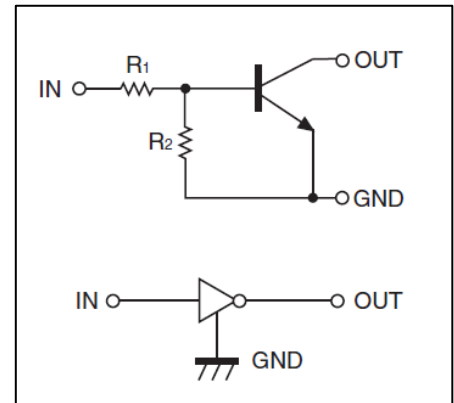
Digital Transistors (Built-in Resistors)

DIGITAL TRANSISTOR (NPN)

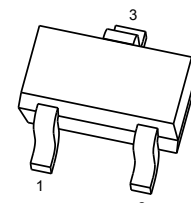
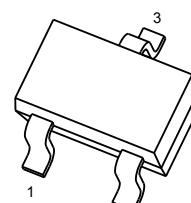
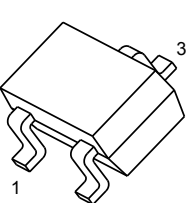
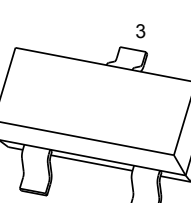
• Equivalent Circuit

FEATURES

- Built-in bias resistors enable the configuration of an inverter circuit without connecting external input resistors(see equivalent circuit)
- The bias resistors consist of thin-film resistors with complete isolation to allow negative biasing of the input.They also have the advantage of almost completely eliminating parasitic effects
- Only the on/off conditions need to be set for operation, making device design easy



PIN CONNENCTIONS and MARKING

<p>DTC144EE</p>  <p>MARKING: 26</p>	<p>SOT-523</p> <p>1. IN 2. GND 3. OUT</p> <p>DTC144EUA</p>  <p>MARKING: 26</p> <p>SOT-323</p> <p>1. IN 2. GND 3. OUT</p>
<p>DTC144EKA</p>  <p>MARKING: 26</p>	<p>SOT-23-3L</p> <p>1. IN 2. GND 3. OUT</p> <p>DTC144ECA</p>  <p>MARKING: 26</p> <p>SOT-23</p> <p>1. IN 2. GND 3. OUT</p>



MAXIMUM RATINGS(Ta=25°C unless otherwise noted)

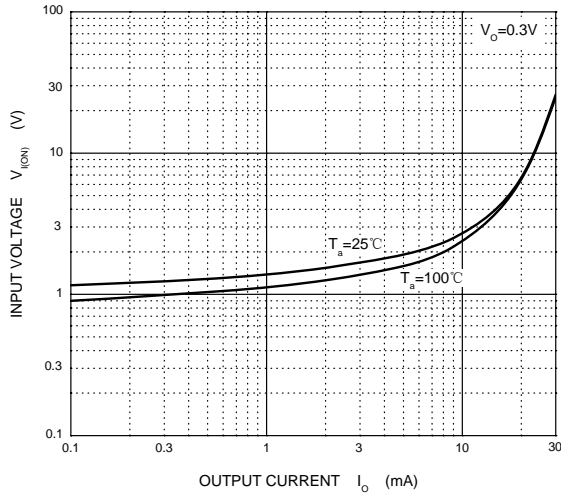
Symbol	Parameter	Limits(DTC144E□)				Unit
		E	UA	CA	KA	
V _{CC}	Supply Voltage	50				V
V _{IN}	Input Voltage	-10~+40				V
I _O	Output Current	30				mA
I _{CM}	Peak Collector Current	100				mA
P _D	Power Dissipation	150	200	200	200	mW
T _J	Junction Temperature	150				°C
T _{stg}	Storage Temperature	-55~+150				°C

ELECTRICAL CHARACTERISTICS (Ta=25°C unless otherwise specified)

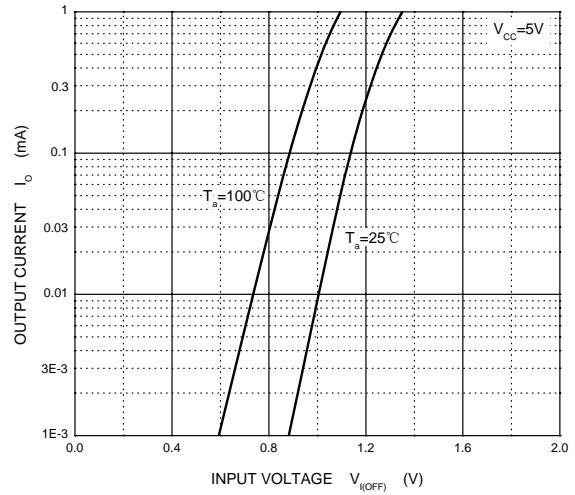
Parameter	Symbol	Conditions	Min	Typ	Max	Unit
Input voltage	V _{I(off)}	V _{CC} =5V, I _O =100μA	0.5			V
	V _{I(on)}	V _O =0.3V, I _O =2mA			3	V
Output voltage	V _{O(on)}	I _O /I _I =10mA/0.5mA			0.3	V
Input current	I _I	V _I =5V			0.18	mA
Output current	I _{O(off)}	V _{CC} =50V, V _I =0			0.5	μA
DC current gain	G _I	V _O =5V, I _O =5mA	68			
Input resistance	R ₁		32.9	47	61.1	kΩ
Resistance ratio	R ₂ /R ₁		0.8	1	1.2	
Transition frequency	f _T	V _O =10V, I _O =5mA, f=100MHz		250		MHz



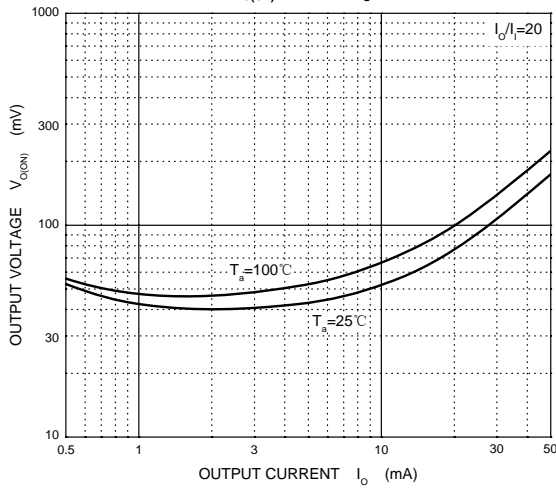
ON Characteristics



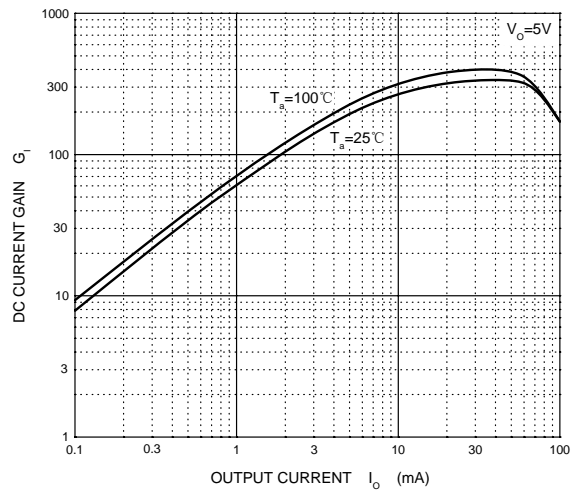
OFF Characteristics



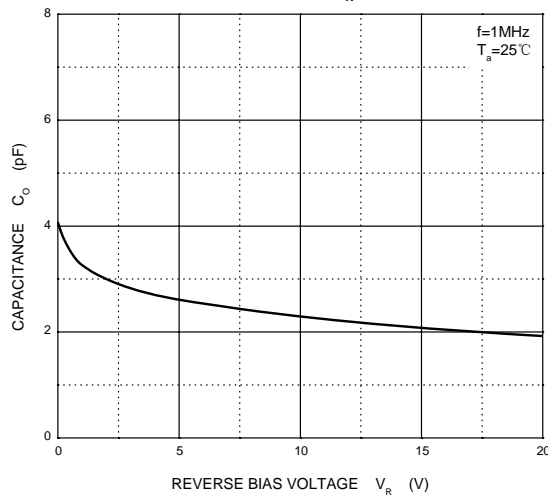
$V_{O(ON)}$ — I_O



G_I — I_O



C_O — V_R



P_D — T_a

